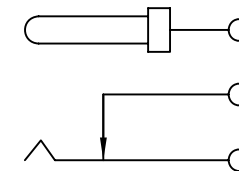
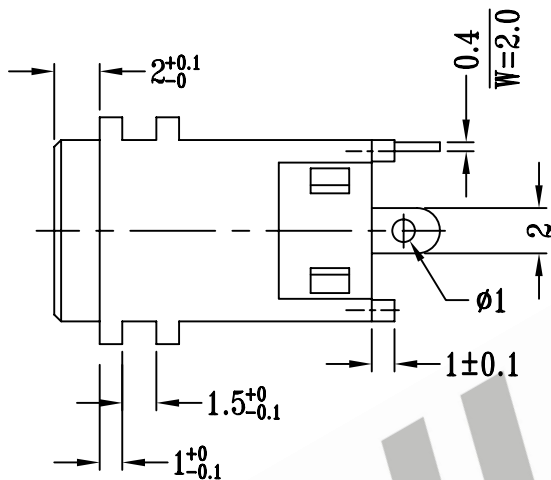
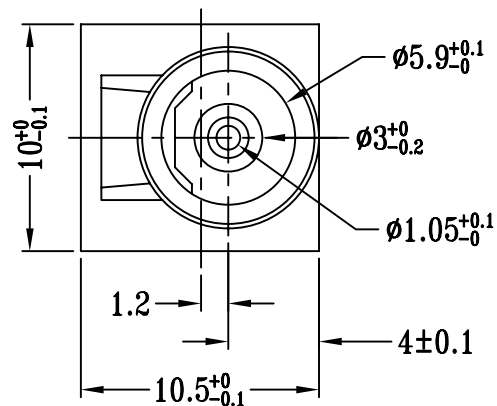
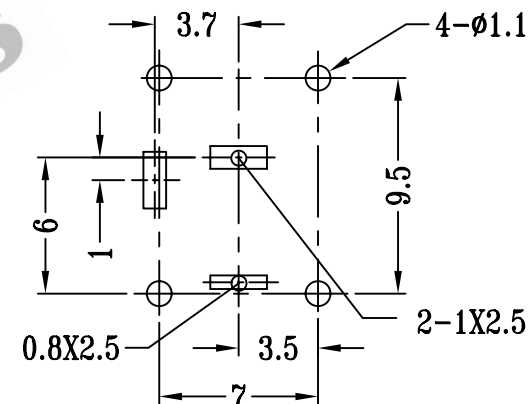
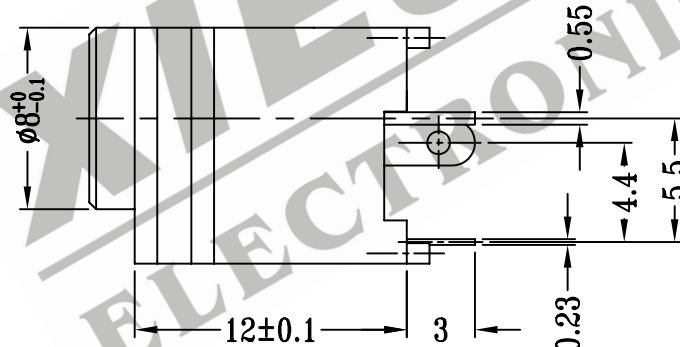


CAD FILE:



SCHEMATIC



P.C.B LAYOUT

注:带*表示关键尺寸(9个)

					TOLERANCE UNLESS SPECIFIED		SHENZHEN XIEJIA ELECTRONICS CO.,LTD.				
					WITHIN: 1.5±0.1mm OVER: 1.5±0.2mm		ISSUE	DATE	DESCRIPTIONS OF REVISION		APPD.
8											
7											
6											
5											
4	SPRING PLATE	PBS	1	1um Ag PLATED	TITLE : DC JACK			UNIT : mm	DRWG NO.: XJ-DR-RC106-00		
3	TERMINAL A	BRASS	1	1um Ag PLATED							
2	TERMINAL B	BRASS	1	1um Ag PLATED	MODEL: RC-106			SCALE: 3:1	DWN.	ZHOUYU	2004-1-30
1	CASE	PBT+94V0	1	YELLOW					CHK'D	FANGYING	2004-1-30
NO.	PARTS	MATERIALS	Q'TY	FINISH	ALL MATERIALS MUST BE COMPLIANT TO ROHS			APPD.	KANGXINAN	2004-1-30	